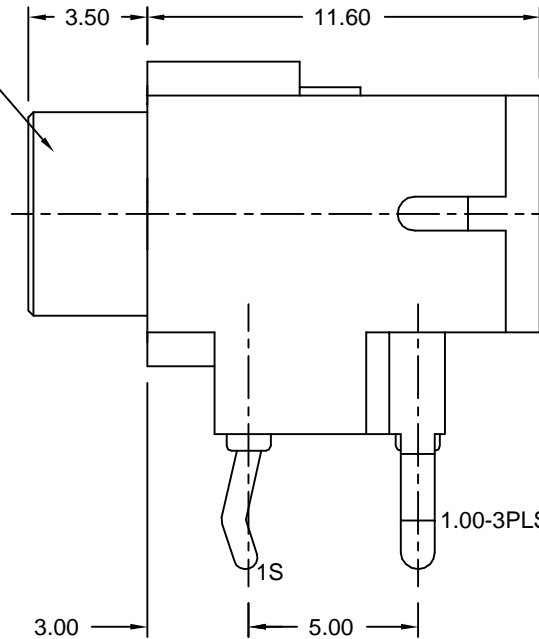
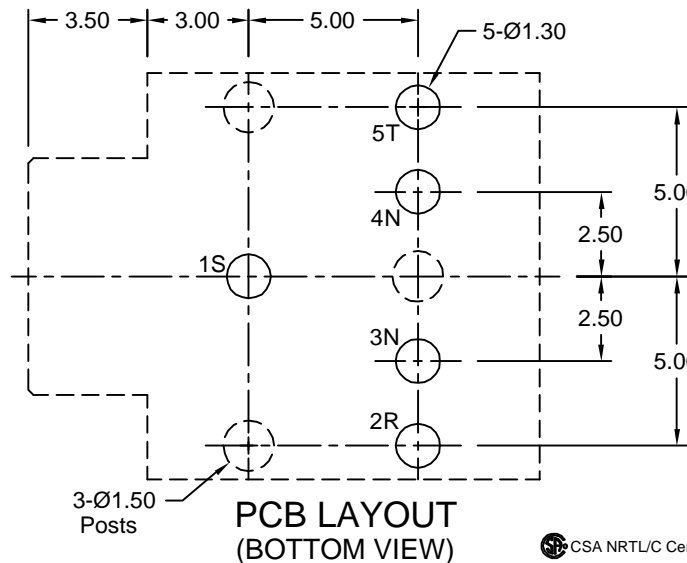
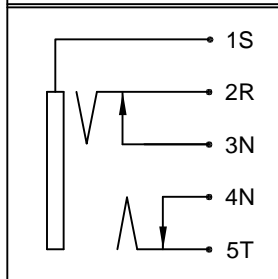


Insulator Color: Lime (Pantone 577C)  
(See PC99 spec)



**SCHEMATIC**



**Materials and Finish**

Housing: PBT Thermoplastic  
15% Glass Filled,  
UL 94V-0 Rated,  
Ring: Lime Color,  
Pantone 577C  
Body: Black Color

Terminals: Copper Alloy,  
100u" Tin over  
70u" Copper Underplating

**Mechanical Characteristics**

Insertion Force:  
0.4kg - 3.0kg

Extraction Force:  
0.3kg - 3.0kg

Durability: 5000 mating cycles

**Electrical Characteristics**

Contact Resistance:  
Before Test: 50 milliohms Max.  
After Durability Test:  
100 milliohms Max.

Insulation Resistance:  
More than 100 Megohms  
at 500V DC

Dielectric Withstanding Voltage:  
500V AC RMS for 1 minute

Operating Temp:  
-25°C to +85°C

**Tolerances**

X.X ±0.2  
X.XX ±0.1  
ANG. ±2°

Unless Stated  
Otherwise

| REVISION | DATE     | DESCRIPTION    | DRAWN BY   | DESIGNED BY | UNITS   |
|----------|----------|----------------|------------|-------------|---------|
| A1       | 6/24/99  | New Drawing    | K. Wallace |             | mm      |
| A2       | 10/19/00 | Ref ECD 99-179 | REVISED BY | APPROVED BY | DATE    |
| A3       | 4/8/02   | Ref ECD 01-128 | C. Leiva   |             | 6/24/99 |

ST-3200-5NB-577C

High Profile Stereo Jack, 5 pos., PC99

Metal Bushing, Nonthreaded, with Backplate

CSA NRTL/C Certified File No. LR78160

