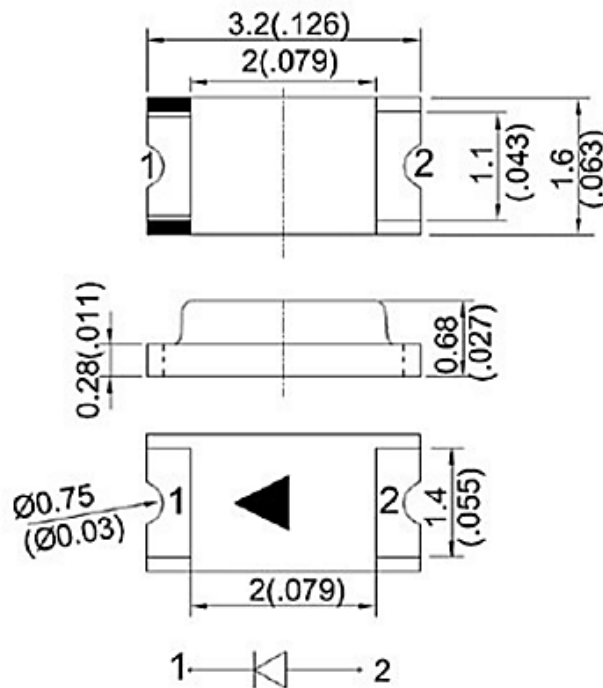
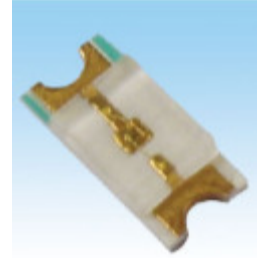


Surface Mount LEDs 1206 Green-Yellow

Features

- 3.2mm x 1.6mm SMT LED, 0.68mm thickness.
- Low power consumption.
- Wide viewing angle.
- Ideal for backlight and indicator.
- Dice materials: AlGaInP.
- Emitted color: Yellow Green
- Lens color: Water Clear.



NOTES:

1. All dimensions are in millimeter(inch);
2. Tolerance is $\pm 0.2\text{mm}$ ($0.008''$) especially other specified;
3. Specifications are subject to change without notice.

ELECTRICAL PARAMETERS

✧ Absolute Maximum Ratings(Ta=25C°)

Item	Symbol	Maximum	Unit
Power Dissipation	P _D	105	mW
Continuous Forward Current	I _{Fmax}	30	mA
Peak Forward Current (1/10 Duty Cycle 0.1ms Pulse Width)	I _{FP}	150	mA
Reverse Voltage	V _R	5	V
Operating Temperature Range	T _{opr}	-40 to +85	°C
Storage Temperature Range	T _{stg}	-40 to +85	°C

✧ Electrical / Optical Characteristics(Ta=25C°)

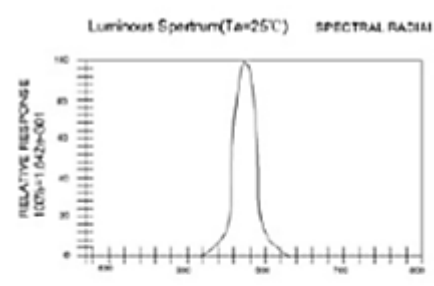
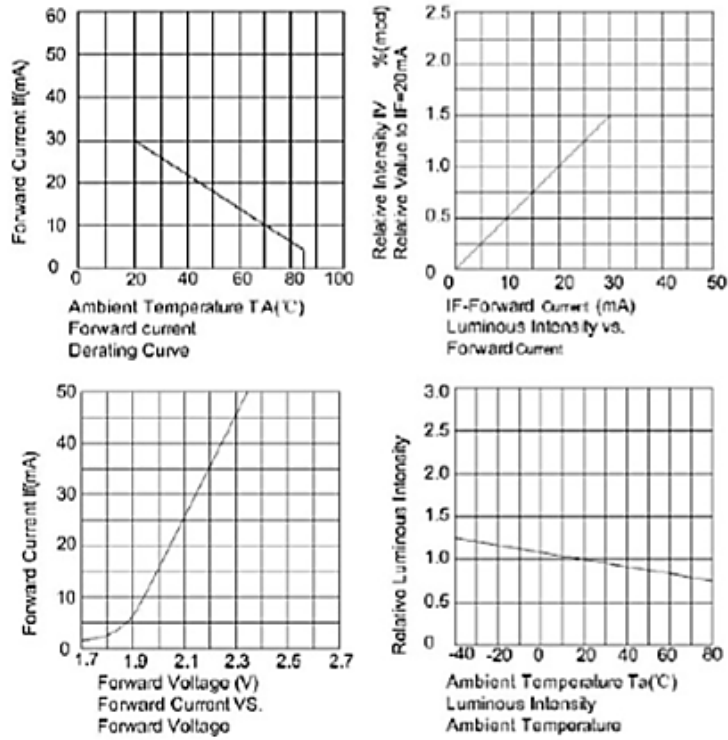
Item	Symbol	Condition	Min.	Typ.	Max.	Unit
Forward Voltage	V _F	I _F =20mA	--	2.0	2.3	v
Luminous Intensity	I _v	I _F =20mA	6	10	--	mcd
Peak Emission Wavelength	λ _P	I _F =20mA	573	575	--	nm
Dominant Wavelength	λ _D	I _F =20mA	570	573	--	nm
Viewing Angle	2θ _½	I _F =20mA	--	120	--	deg
Capacitance	C	V _R =0V; f=1MHz	--	105	-	pF
Reverse Current	I _R	V _R =5V	--	5	10	uA

Note:

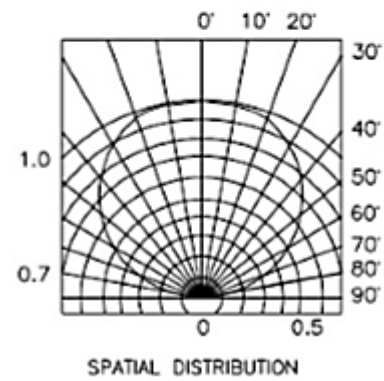
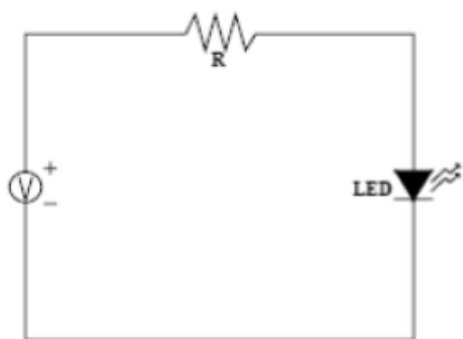
1. θ_½ is the angle from optical centerline where the luminous intensity is ½ the optical centerline value.
2. The above luminous intensity measurement allowance tolerance ±10%.

Electro-Optical Characteristics Curves & Test Circuit

✧ Typical Electro-Optical Characteristics Curves



✧ Test Circuit

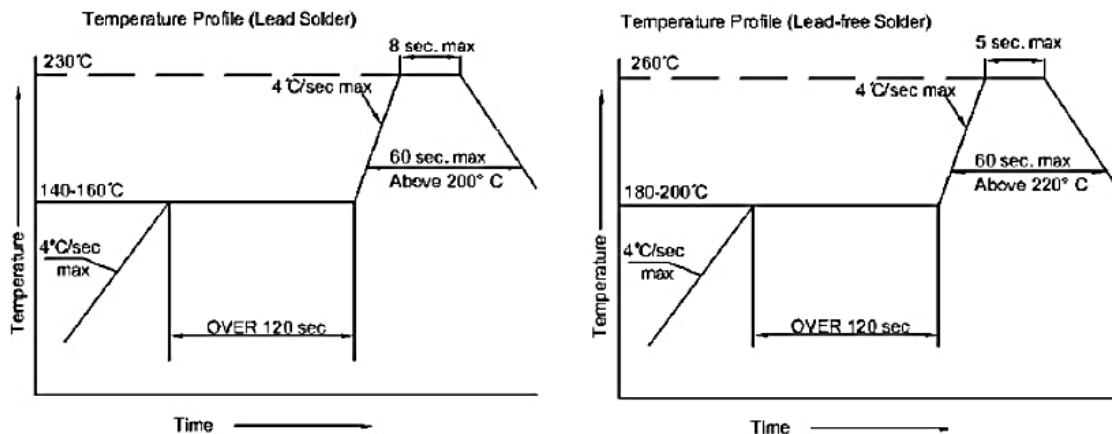


Reliability Test And Condititions

NO.	Item	Test Condition	Test Hr/cycle/time	Sample Q'ty	Ac/Re
1	Reflow	TEMP:260°C±5°C; Min. 5sec	6 min	22pcs	0/1
2	Temperature Cycle	H: +100°C 15mins to (5mins) L: -40°C 15mins	300 cycles	22pcs	0/1
3	Thermal Shock	H: +100°C 15mins to (10sec) L: -10°C 15mins	300 cycles	22pcs	0/1
4	High Temperature Storage	TEMP: +100°C	1000 hrs	22pcs	0/1
5	Low Temperature Storage	TEMP: -40°C	1000 hrs	22pcs	0/1
6	DC Operating Life	IF=20mA	1000 hrs	22pcs	0/1
7	High Temperature	85°C	1000 hrs	22pcs	0/1
8	High Humidity	85%R.H.	1000 hrs	22pcs	0/1

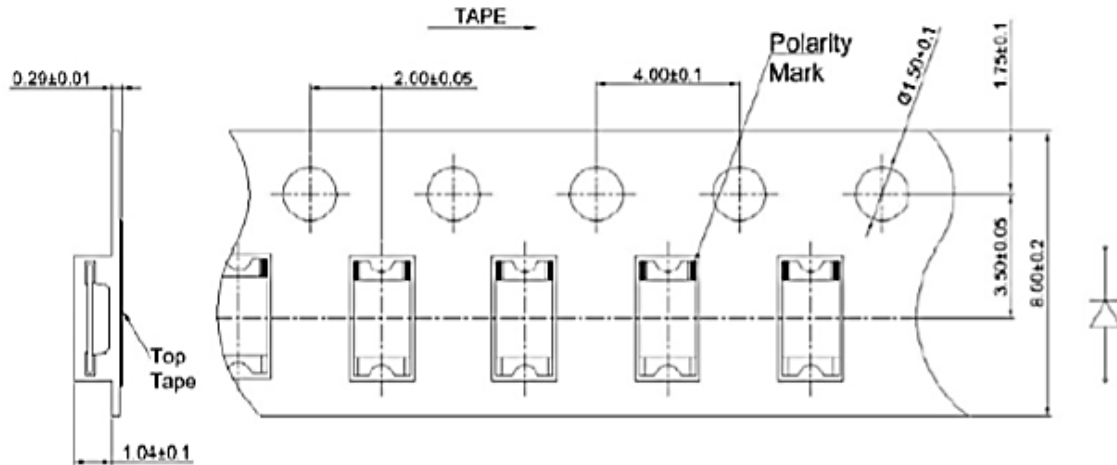
SMT Reflow Soldering Instructions

Number of reflow process shall be less than 2 times and cooling process to normal temperature is required between first and second soldering process.

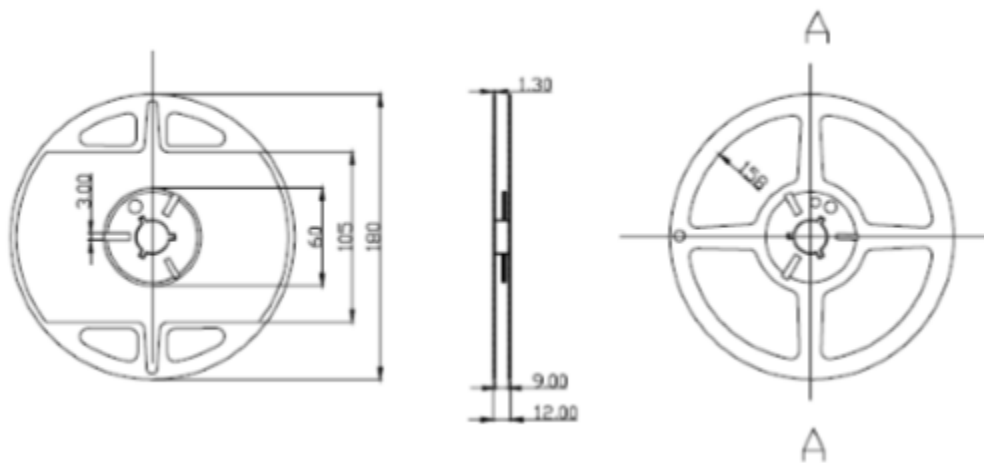


Packing Diagram

✧ **Tape Specification: 3,000pcs per reel**



✧ **Package Dimensions of Reel**



- NOTES: 1. All dimensions are in millimeter(inch);
2. Tolerance is ± 0.2 mm(0.008 ") especially other specified;
3. Specifications are subject to change without notice.